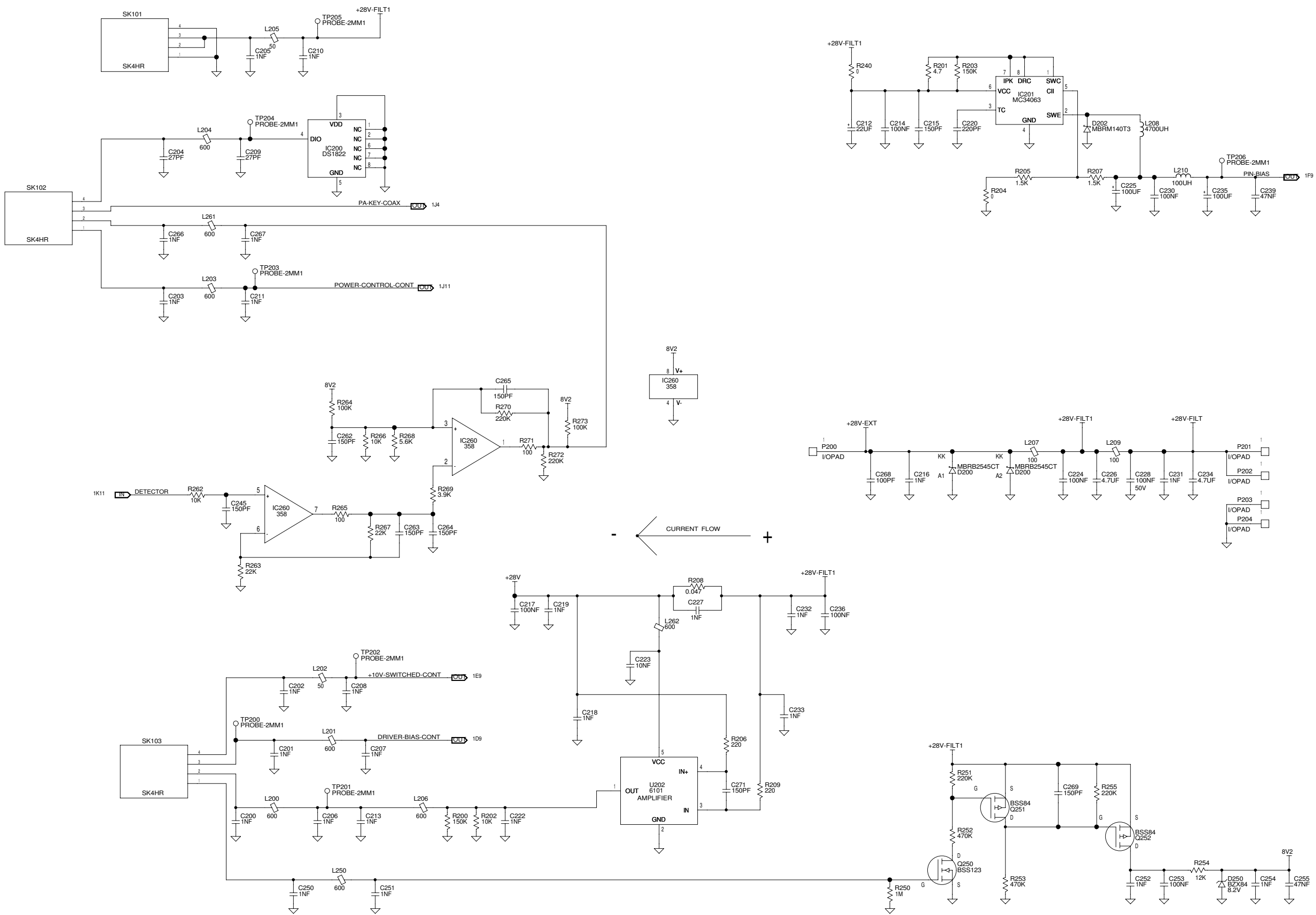


O6A	OBSOLETE IC202 REPLACED WITH 002-16101-00	SC	SH	DAVE	E	SH	30JAN07
O5B	VALUE CHANGE C143,C144,R134	OFAS	OW	CK	OW		26SEP06
O5A	DCO 02001-004	SA	OW	CK	OW		230103
O4B	RESISTOR AND INDUCTOR VALUE CHANGES	SA	OW	CK	OW		140103
O4A	DCO 02001-003	SA	OW	CK	OW		201102
O3A	DCO 02001-002	SA	OW	CK	OW		1/1002
O2	ADDITIONAL UPGRADE	ET	PG				25/06/02
O1A	CLONED FROM 226-00208-05A	PG					20/05/02
REV/ISS	AMENDMENTS	DRAWN	CHKD	D.O.	APVD	DATE	

TOPBAD
BADMARK

© TAIT ELECTRONICS		A1
T8000		
UHF 6W MODULE		
IPN: 220-02001-06	ISSUE: A	VARIANT NUMBER: ?
FILE DATE: Fri Feb 09 08:55:47 2007		
ENGINEER: OW	FILE NAME: 220_02001	SHEET NUMBER: 1 OF 2



← CURRENT FLOW →

06A	OBSOLETE IC202 REPLACED WITH 002-16101-00	SC	SH	DAVE	E	SH	30JAN07
05B	VALUE CHANGE C143,C144,R134	OFAS	OW	CK	OW		26SEP06
05A	DCO 02001-004	SA	OW	CK	OW		230103
04B	RESISTOR AND INDUCTOR VALUE CHANGES	SA	OW	CK	OW		140103
04A	DCO 02001-003	SA	OW	CK	OW		201102
03A	DCO 02001-002	SA	OW	CK	OW		1/10/02
02	ADDITIONAL UPGRADE	ET	PG				25/06/02
01A	CLONED FROM 226-00208-05A	PG					20/05/02
REV/ISS	AMENDMENTS	DRAWN	CHKD	D.O.	APVD	DATE	

© TAIT ELECTRONICS		A1
T8000 6W MODULE		
IPN: 220-02001-06	ISSUE: A	VARIANT NUMBER: ?
FILE DATE: Mon Feb 12 10:58:36 2007		
ENGINEER: OW	FILE NAME: 220_02001	SHEET NUMBER: 2 OF 2